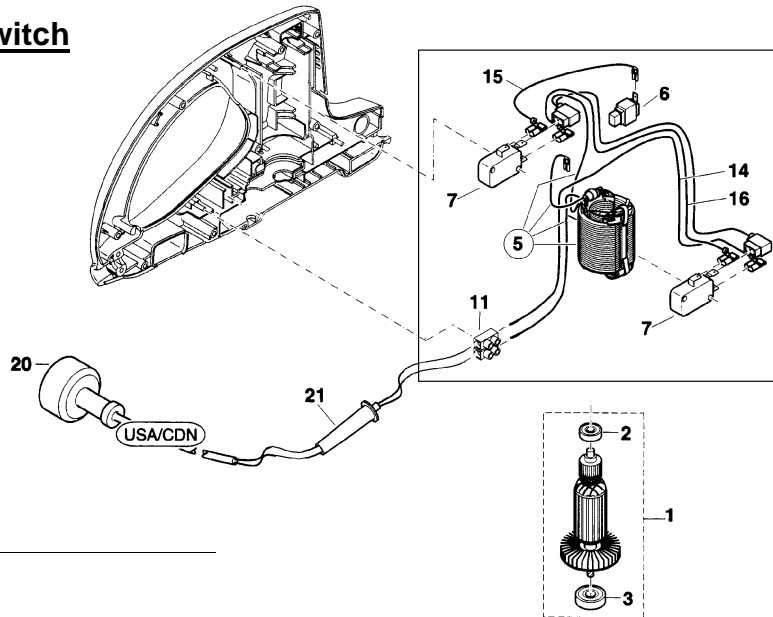




21-5/8" (55cm) HEDGETRIMMER Model UH5530
24-3/4" (63cm) HEDGETRIMMER Model UH6330

Motor, Cable, Switch

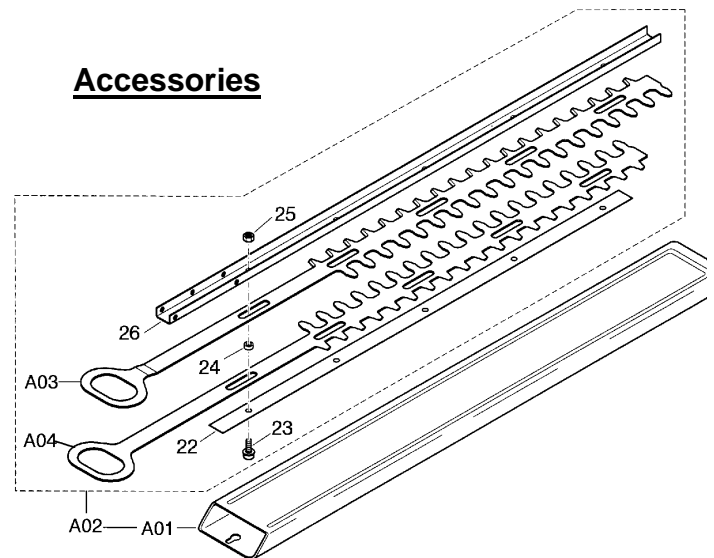


Item No.	Part No.	No. Used	Description
1	970 801 820	1	Rotor Assy
2	960 101 074	1	Ball Bearing
3	960 101 104	1	Ball Bearing
5	970 801 220	1	Stator Assy
6	957 801 410	2	Carbon Brush CPL (2pcs/Set)
7	970 001 210	2	Switch
11	970 201 220	1	Screw Wire Connector
14	970 311 250	1	Connecting Cable
15	970 311 270	1	Connecting Cable
16	970 311 280	1	Connecting Cable
20	970 102 221	1	Cable with Plug (Old 970 102 140, 970 102 220)
21	204 152 010	1	Break Protection
22	221 233 430	1	55cm Bar
	221 233 440	1	63cm Bar
23	221 233 160	5	Screw M5x14
24	221 233 150	5	Distance Piece
25	221 233 170	5	Safety Nut M5
26	221 233 180	1	Mounting Bar 55cm(UH5530)
	221 233 190	1	Mounting Bar 63cm (UH6330)

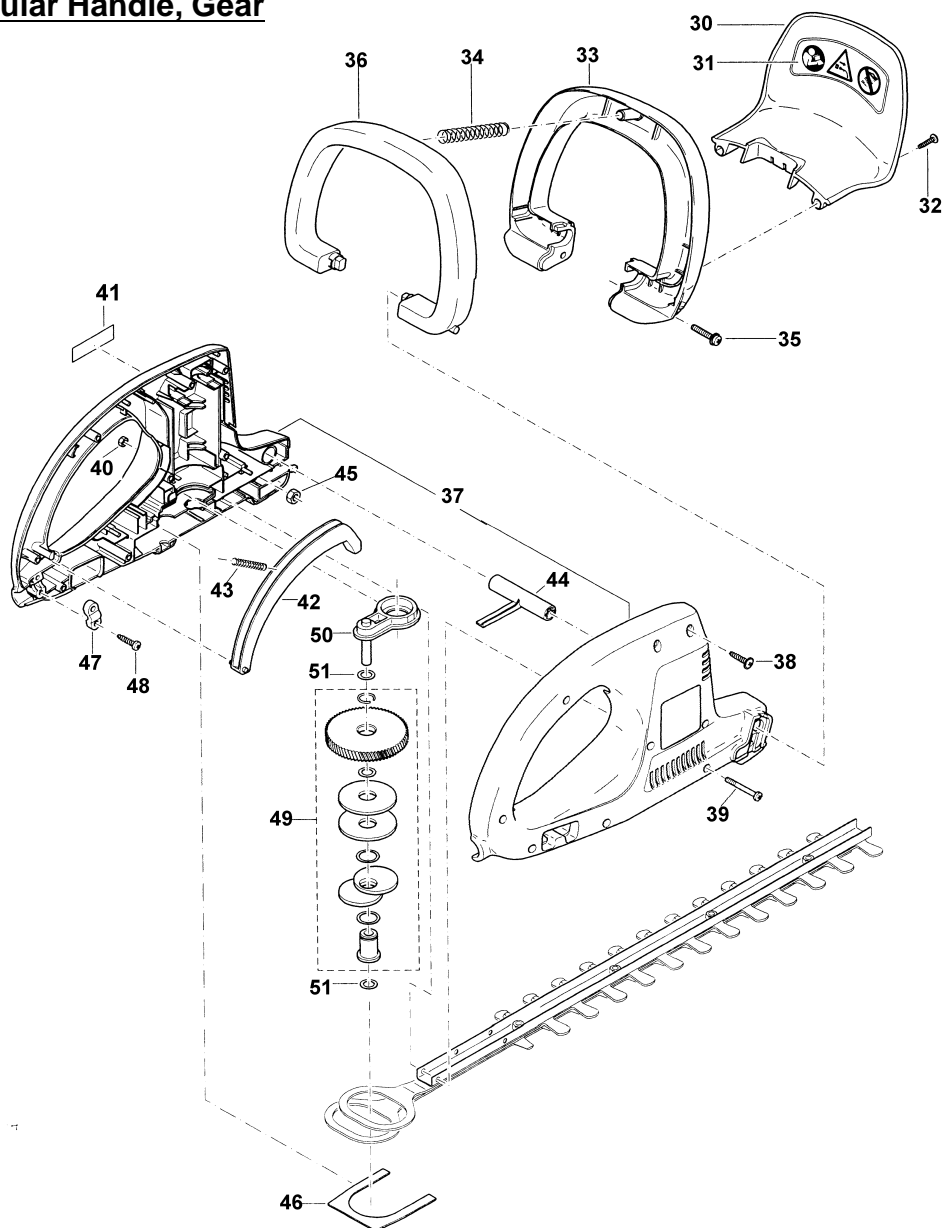
Accessories

A01	220 233 620	1	Sheath 55-63cm
A02	221 230 650	1	Shear Blade 55cm (UH5530)
	221 230 660	1	Shear Blade 63cm (UH6330)
A03	221 233 280	1	Shear Plate A 55cm (UH5530)
	221 233 290	1	Shear Plate A 63cm (UH6330)
A04	221 233 380	1	Shear Plate B 55cm (UH5530)
	221 233 390	1	Shear Plate B 63cm (UH6330)

Accessories



Case, Tubular Handle, Gear



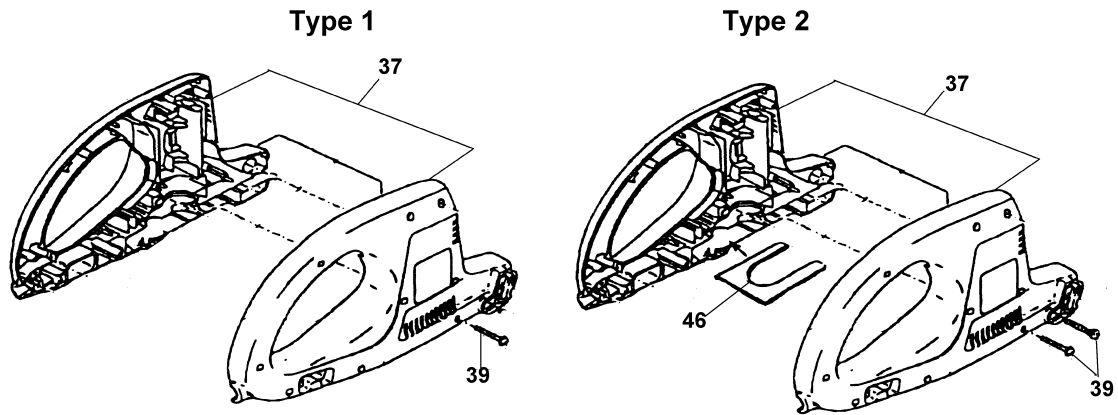
Item No.	Part No.	No. Used	Description	Item No.	Part No.	No. Used	Description
30	221 213 111	1	Hand Guard	41	980 114 296	1	Label
31	980 114 292	1	Label	42	221 144 120	1	Rear Grip Switch
32	913 540 205	2	Screw 4.0x20	43	221 145 120	1	Pressure Spring
33	221 310 110	1	Tubular Handle	44	221 144 130	1	Switch Fork
34	221 145 110	1	Pressure Spring	45	920 205 000	2	Hexagonal Nut M5
35	917 005 250	2	Screw M5x25	46	221 229 240	1	Plate (Add) *
36	221 144 110	1	Front Grip Switch	47	203 152 050	1	Traction Relief
37	*	1	Case CPL	48	915 635 164	2	Self-Cutting Screw 3.5x16
38	913 540 205	8	Screw 4.0x20	49	222 220 020	1	Gear CPL (Old 221 220 020)
39	*	2	Screw M4x35	50	221 211 010	1	Gear Plate with Axle
40	920 204 000	2	Hexagonal Nut M4	51	221 229 210	2	Washer ? 8/14X0.3

* SEE SERVICE CHANGE

2 Model UH5530
2 Model UH6330

SERVICE CHANGES

1. Change on Case CPL, Screw and Addition of Plate.



Item No.	Description	Type 1	Type 2
37	Case CPL	221 110 610	221 110 611
39	Screw M4X35	917 004 350	001 230 010
46	Plate	-----	221 229 240
	Serial # UH5530	~ 54500	54501 ~
	Serial # UH6330	~ 44900	44901 ~

Above parts are completely interchangeable as a set.